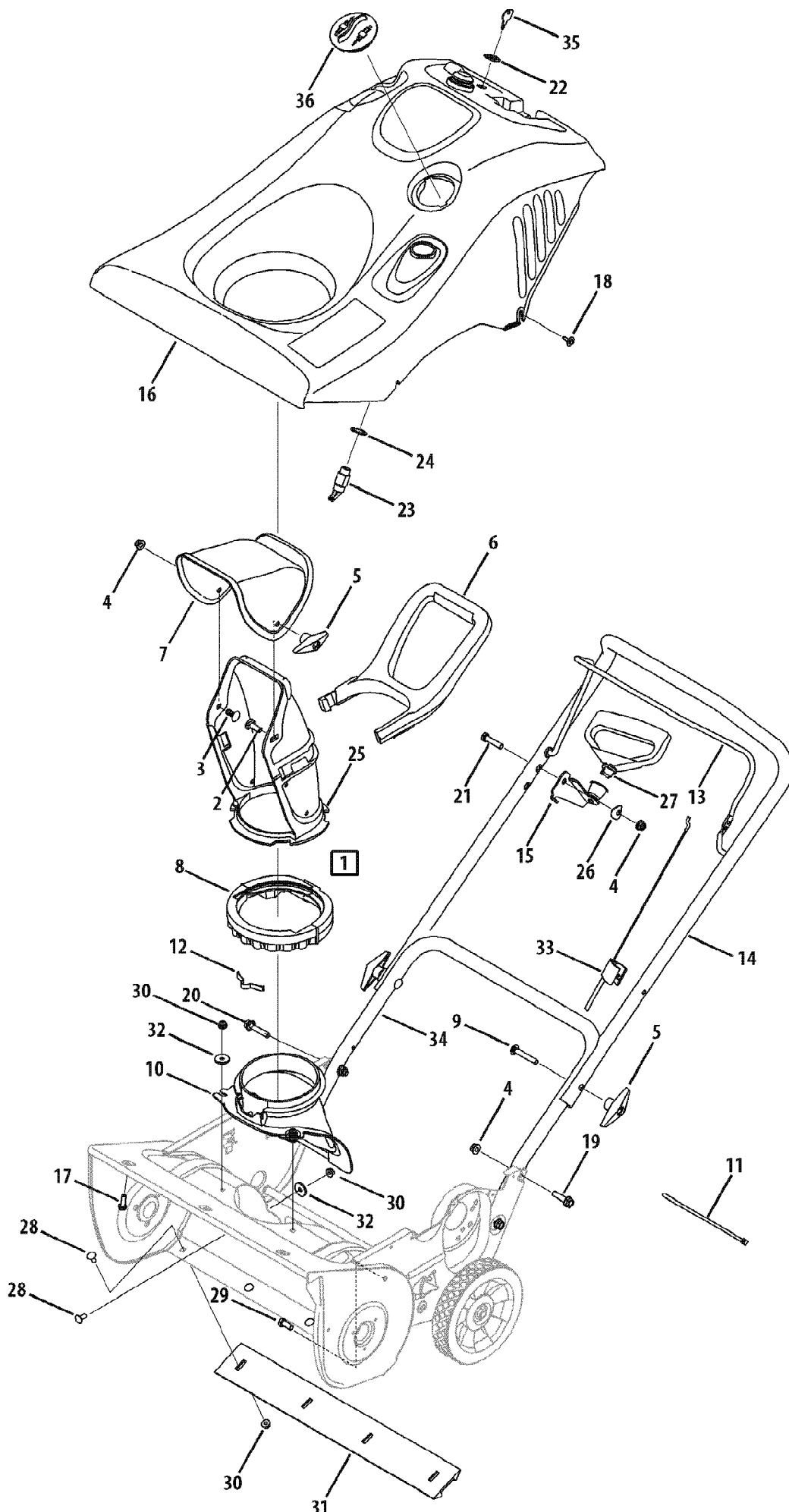


31AS2B5-790 (2007)  
Auger & Drive System

Page 2 of 6

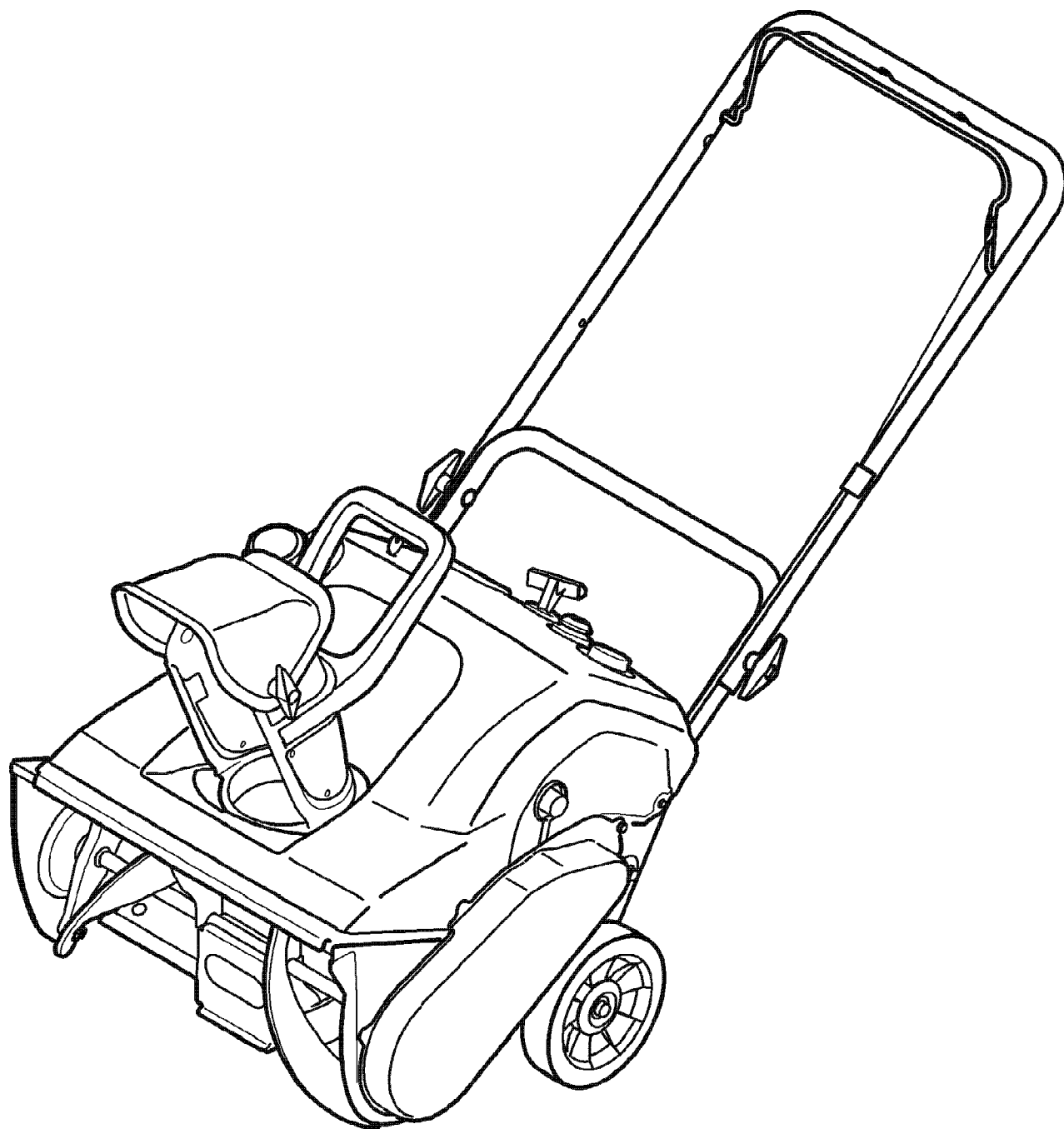
Ref #	Part Number	Qty	S/P/F	Description
1	629-0071	1	S	Extension Cord
2	710-0409	1	/P	Hex Screw, 5/16-24 x 1.75
3	710-0627	1	/P	Hex Screw, 5/16-24 x .75
4	710-0654A	1	/P	Self Tapping Screw, 3/8-16 x 1
5	710-0751	1	/P	Hex Screw, 1/4-20 x .62
6	710-1003	1	/P	Screw, #10-16 x .625
7	712-04064	1	/P	Hex Flange Lock Nut, 1/4-20
8	726-0154	1	S	Push Mount Cable Tie
9	750-04757	1		Spacer, Auger - LH
10	726-0205	1	/P	Clamp, Hose
11	731-2825	1		Knob, Choke
12	736-0119	1	S	Washer, Lock 5/16
13	736-0242	1	/P	Flat Washer .340 x .872 x .060
14	747-04236	1		Gas Tank Support Wire
15	750-04297B	1		Spacer, Engine
16	751-0535	1		Hose, Fuel Line
17	751-10023	1	S	Tank, Fuel
18	751-10487	1	/P	Cap, Fuel
19	754-0101A	1	S	V-Belt, 1/2
20	756-0416B	1	S	Pulley Half, .625 ID x 2.25 OD
21	756-04232	1		Pulley, 1/2 x 6.0 OD
22	790-00216	1	S	Bracket, Engine
23	790-00134	1	S	Bracket Support Gas Tank
24	7511152847	1	S	Primer Hose Line
25	7512B1476	1	S	Primer
26	734-04063	1	/P	Wheel
27	684-04168	1		Idler Pulley (1/4" hole)
28	735-04033	1		Rubber Paddle
29	710-0896	1	/P	Hex Screw, 1/4-20 x .62
30	735-04032	1		Crescent Spiral
31	684-04253	1	S	Auger Assembly
32	710-0642	1	/P	Hex Screw 1/4-20 x .75 Gr. 5
33	710-0653	1	/P	Self-tapping Screw 1/4-20 x .
34	712-0896	1		Hex Lock Nut 1/4-28
35	710-1005	1	S	Screw, 1/4-14 x .500"
36	712-04063	1	/P	Hex Flange Lock Nut, 5/16-18
37	726-0299	1	/P	Push Cap, 1/2"
38	750-04571	1		Shoulder Spacer .260 x .785 x .538
39	736-0329	1	S	Lock Washer, 1/4
40	736-0176	1	S	Flat Washer .265 x .938 x .120
41	741-04188A	1		Ball Bearing .625 x 37 x 12
42	684-04227	1		Auger Assembly Housing
43	748-0234	1	/P	Shoulder Spacer .25
44	738-0924A	1	/P	Carriage Screw 1/4-28
45	790-00249	1	S	Bearing Cup
46	790-00238A	1	S	Idler Brkt. w/ brake
47	790-00045A	1	/P	Belt Cover
48	710-0106	1	/P	Hex Screw, 1/4-20 x 1.00 Gr. 5
49	756-0625	1		Cable Roller
50	732-0357A	1	S	Extension Spring
51	750-04758	1		Spacer, Auger - RH



31AS2B5-790 (2007)  
Chute & Handle

Page 4 of 6

Ref #	Part Number	Qty	S/P/F	Description
1	684-04127	1	S	Chute Assembly (Incl. Ref. 37-41)
2	710-04071	1		Carriage Bolt 5/16-18 x 1.0"
3	710-0451	1	/P	Carriage Bolt 5/16-18 x 0.750"
4	712-04063	1	/P	Flange Lock Nut, 5/16-18
5	720-0284	1	S	Wing Knob
6	731-04388A	1		Chute Handle
7	731-04426A	1	/P	Upper Chute
8	731-04353	1	S	Ring-Lower Chute
9	710-04532	1		Carriage Bolt 5/16-18 x 2.0 Gr. 5
10	731-04886	1	S	Chute, Adapter 5" Dia
11	725-0157	1	/P	Cable Tie
12	732-04111	1	S	Chute Adjustment Spring
13	747-04159A	1		Bail, Gull Wing
14	749-04106	1	S	Upper Handle, Gull Wing
15	684-0178	1	S	Mitten Grip Bracket
16	684-04211	1		Shroud Assembly, Gray (Incl. Spark Plug Cover)
	684-04029	1	S	Shroud Assembly, Black (Incl. Spark Plug Cover)
17	710-0895	1		Screw, 1/4-15 x .75
18	710-04669	1		Screw, #10-16 x .625"
19	710-1090	1	/P	Hex Flange Screw, 5/16-18 x 1.25
20	710-1882	1		Hex Flange Screw 5/16-18 x 1.50
21	710-0805	1	/P	Hex Screw, 5/16-18 x 1.5
22	712-0252	1	/P	Hex Nut 5/8-32 x .12 Special
23	725-2018	1	S	Key Switch-Electric Start
24	736-0225	1	/P	Lock Washer Internal .625 x 1.058
25	731-04127	1	S	Lower Chute 5" Dia.
26	736-0451	1	S	Saddle Washer .320 x .93
27	7510009636	1	/P	Recoil Handle, Mitten
28	710-0134	1	/P	Screw, 1/4-20 x .62
29	710-3008	1	/P	Truss Machine Screw, 5/16-18 x .75
30	712-04064	1	/P	Hex Flange Lock Nut, 1/4-20
31	731-1033	1	/P	Shave Plate, 19.88
32	736-0176	1	S	Flat Washer .265 x .938 x .120
33	746-04237	1		Control Cable
34	749-04114	1		Lower Handle
35	725-0201	1	S	Ignition Key
36	684-04210	1		Spark Plug Cover, Gray
36	684-0189	1		Spark Plug Cover, Black



31AS2B5-790 (2007)  
Quick Reference

Page 6 of 6

Ref #	Part Number	Qty	S/P/F	Description
	759-3338	1	/P	Spark Plug
	TC-35062	1	/P	Key
	929-0071	1	S	Extension Cord
	NA	1		Snow Removal Tool
	731-1033	1	/P	Shave Plate
	NA	1		Slide Shoe
	NA	1		Shear Pin
	NA	1		Bow Tie Cotter Pin
	NA	1		Lamp
	954-0101A	1	/P	Auger Drive Belt
	NA	1		Wheel Drive Belt
	735-04032	1		Spiral Crescent
	735-04033	1		Rubber Paddle
	NA	1		Friction Wheel Assembly
	NA	1		Friction Wheel Rubber